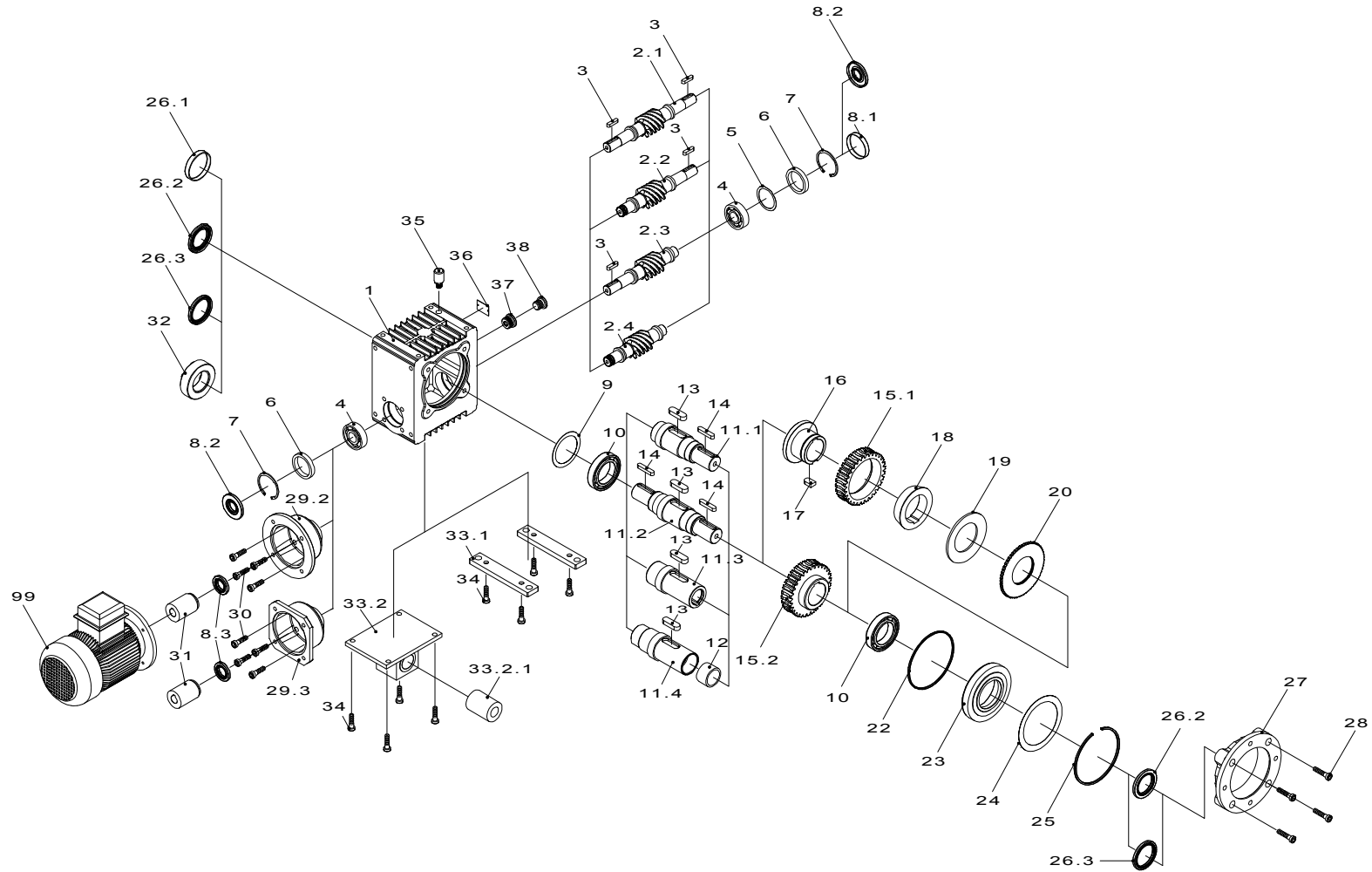


# Gear size E,M 050



position	naming	designation
1	gear case	
2.1	double sided worm shaft	
2.2	double sided worm shaft for motor	
2.3	single sided worm shaft	
2.4	single sided worm shaft for motor	
3	key A 5x5x25	
4	angular ball bearing 7303BEP	
5	shim set 37x47x0,1-0,3	
6	supporting disk 37x47x2,5	
7	circlip DIN472 47x3	
8.1	cover 47x6,5	
8.2	radial seal 17x47x6	
8.3	radial seal 17x35x7	
9	shim set 55x68x0,1-0,3	
10	ball bearing 6008	
11.1	single sided output shaft	
11.2	double sided output shaft	
11.3	hollow shaft	
11.4	hollow shaft for shrink disc	
12	slide bush	
13	key A 12x8x36	
14	key A 8x7x36	
15.1	wormwheel for safety friction clutch	
15.2	wormwheel	
16	coupling hub	
17	key 14x9x14	
18	cone ring	
19	spring disc	
20	set collar	
22	o-ring 90x2	
23	gear case cover	
24	shim set 70x90x0,1-0,3	
25	snap ring	
26.1	cover 52x6,5	
26.2	radial seal 32x52x6,5	
26.3	radial seal 40x52x7	
27	housing flange f	
28	socket head screw M8x30 8.8	
29.2	motor flange	
29.3	servomotor flange	
30	socket head screw M8x20/50 8.8	
31	coupling	
32	shrink disc	
33.1	gear foot	
33.2	torque arm	
33.2.1	rubber buffer HL 45x20x62.5	
34	socket head screw M8x16 8.8	
35	vent filter	
36	information plate	
37	drain plug	
38	drain plug R 1/2"	
99	motor (acc. to spezication)	