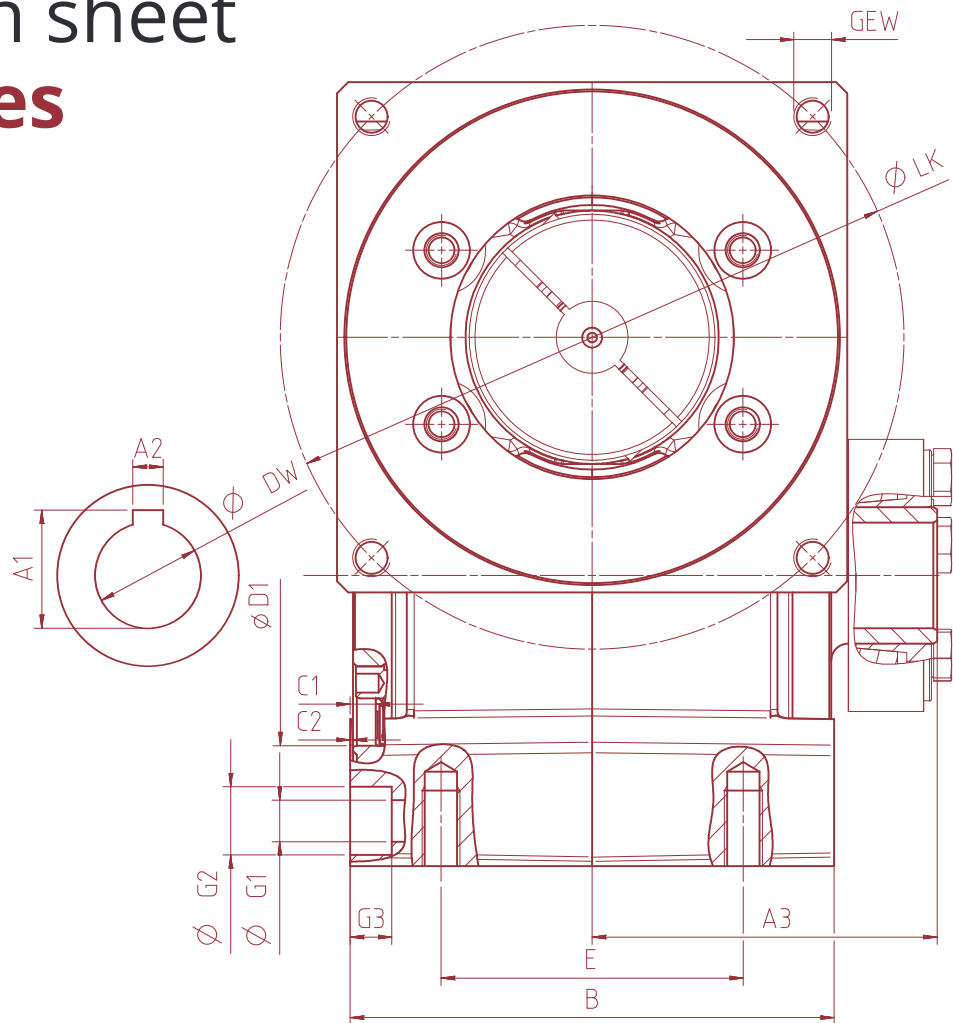


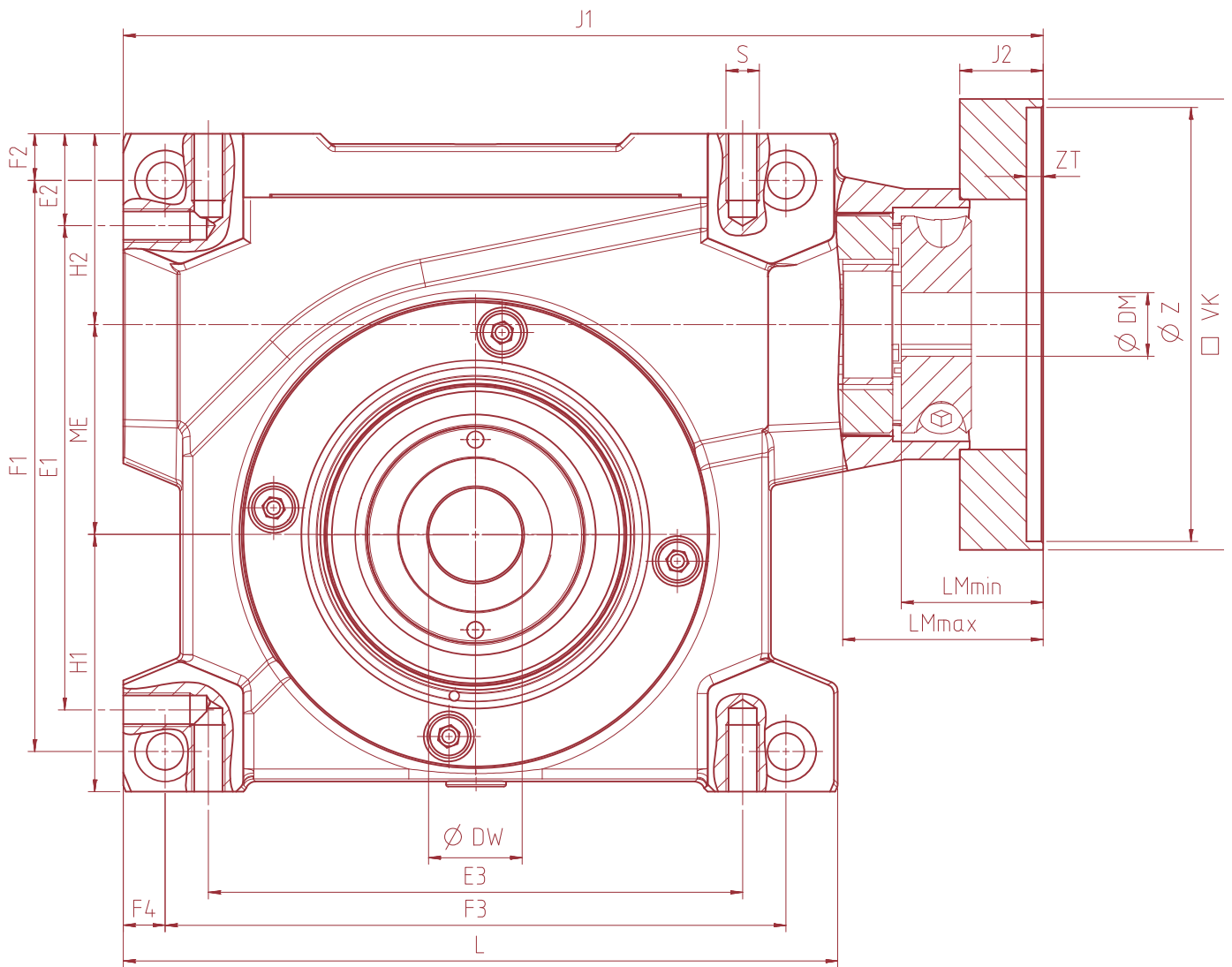
Dimension sheet for all sizes

In this table you will find an overview of all important dimensions. You can download the corresponding STEP files from www.zae.de as well as request them from us. Should you have any questions, we look forward to hearing from you at verkauf@zae.de or Tel. +49 (0) 40 853 93-03.



Sizes	40	50	63	80	100
ME	40	50	63	80	100
L	157	177	214	252	309
B	110	122	128	160	172
H1	56	61	77	90	112
H2	45	51	57	62	75
DW H6 ¹⁾	20	25	28	36	48
A1 ²⁾	22.8	28.3	31.3	39.3	51.8
A2 ²⁾	6	8	8	10	14
A3 ³⁾	76.5	84.5	91.25	109	118
D1 H8	62	68	90	110	125
C1	6	6	5.75	6	6
C2	1	1	0.75	1	1
E	75	85	80	120	135 ⁴⁾
E1	102	121	145	185	232
E2	19	20	27.5	23	28
E3	108	120	160	195	250
S	M6x12	M8x16	M10x20	M10x20	M12x24

1) Recommended fit for machine shaft h6
 2) Only with model 00
 3) Only with model 05 / 06
 4) On the side opposite the motor: 120



Sizes	40	50	63	80	100
F1	122	142	171	209	262
F2	9.5	10	14	12	13
F3	135	152	186	226	280
F4	9.5	11	12.5	11.5	13
G1	9	9	11	11	14
G2	15	15	18	18	20
G3	10	10	11	11	13
VK	Depending on motor				
Z H8	Depending on motor				
ZT	Depending on motor				
LK	Depending on motor				
GEW	Depending on motor				
DM	Depending on motor				
LMmin	Depending on motor				
LMmax	Depending on motor				
J1	Depending on motor				
J2	Depending on motor				